

ENERSOUND[®]

PA-200 PERSONAL WAISTBAND VOICE AMPLIFIER

USER MANUAL



TABLE OF CONTENTS

1. ABOUT THIS MANUAL	4
2. SAFETY PRECAUTIONS.....	4 - 9
3. GENERAL INFORMATION.....	9
4. APPLICATIONS.....	9
5. ACCESSORIES.....	9 - 10
6. SPECIFICATIONS.....	10 - 11
7. OPERATING INSTRUCTIONS.....	11 - 14
7.1 INSTALLING THE BATTERY.....	11
7.2 CHARGING THE BATTERY.....	12 - 13
7.3 OPERATING THE DEVICE.....	13 - 14
8. LIMITED WARRANTY STATEMENT.....	14 - 15

1. ABOUT THIS MANUAL

Read this user manual carefully before using your Enersound's PA-200 personal waistband amplifier. Use the product only as described to avoid accidental injury, damage or hearing impairment. Also, read safety warnings carefully. Keep this manual for future reference. If you give this product to someone else, remember to include this manual.

2. SAFETY PRECAUTIONS

Intended Use:

This product is designed for private use and is not intended for use in emergency and/ or life-threatening situations.

HAZARD to Children

Your waistband amplifier is not a toy. Children should not be allowed to play with it because they could hurt themselves and others or damage the product. Packaging material, belts, cables and small parts may cause choking, suffocation or strangulation.

Battery Precautions

Never use any charger or battery that is damaged in any way or that is not the original one supplied with the equipment.

Do not dispose battery in household trash. Recycle it according to local regulations.

Do not modify or remanufacture the battery as this could result in serious safety hazards.

Follow battery usage, storage and charging guidelines.

Battery charging time depends on the remaining battery charge and the type of battery and charger used. The battery can be charged and discharged hundreds of times, but it will gradually wear out. When the operation time is noticeably shorter than normal, it is time to buy a new battery.

If left unused, a fully charged battery will discharge itself over time.

Use only Enersound-approved batteries and recharge your battery only with Enersound-approved chargers. When a charger is not in use, disconnect it from the power source. Always disconnect the charger from the unit and the wall once the charge is complete. Misuse or use of incompatible batteries, and charging devices could result in damage to the equipment and a possible risk of fire, explosion, leakage, or other serious hazard.

Extreme temperatures will affect the charging capacity of your battery: it may require cooling or warming first.

Do not leave the PA-200 amplifier or its battery in hot or cold places, such as in a car in summer or winter conditions, as you will reduce the capacity and lifetime of the battery. Always try to keep the battery at room temperature. An amplifier with a hot or cold battery may temporarily not work, even when the battery is fully charged. Do not place this device in areas that may get very hot, such as on or near a cooking surface, cooking appliance, iron, radiator or in direct contact with fire.

Do not get your amplifier or battery wet. Even though they will dry and appear to operate normally, the circuitry could slowly corrode and pose a safety hazard.

Do not short-circuit the battery. Accidental short-circuiting can occur when a metallic object (coin, clip or pen) causes a direct connection between the + and - terminals of the battery (metal strips on the battery), for example when you carry a spare battery in a pocket or bag. Short-circuiting the terminals may damage the battery or the object causing the short-circuiting with a risk of fire or explosion.

Waistband Precautions

Be careful when using the waistband. Under unfavorable circumstances you could strangle yourself or someone else with the waistband.

Do not use or wear this device or its accessories near moving machinery as they may become entangled or caught and cause injury.

WARNING! Damage to your Health

Using this product at a loud volume or over a prolonged period of time can lead to permanent hearing damage.

Reduce the volume to its lowest setting before use.

Never use the unit close to a person's ear.

Do not point the unit toward anyone when testing this device.

Do not open the battery cover forcibly to prevent injuring your fingers or fingernails. Use a coin to remove the battery cover when it is hard to remove.

To prevent a fire or electric shock, never open nor modify the unit.

CAUTION! Damages

Protect the waistband amplifier against moisture, water, dust, extreme temperatures or direct sunlight.

When using this device indoors, the acoustical influence of walls and ceilings can make it more likely to produce feedback and making it difficult to increase the volume. When using indoors, set the volume at mid level or lower. (This may vary according to the acoustics in the location.) Feedback is a noise caused by speaker sound entering the microphone, which is amplified by the amplifier again and is further output from the speaker. Do not point the speaker towards the microphone to avoid feedback from occurring. Keep the microphone as far as possible from the speaker.

Do not use the product with sound distorted for a long time. The Main PA unit can become overheated, possibly leading to malfunctions.

When using a mobile phone near this product, noise may be produced, but this is not a malfunction. Keep mobile phones as far away as possible from the product.

Suddenly moving from a cold outdoors area into a warm interior setting may cause water (condensation) to build up inside the product. Caution is urged as condensation may cause malfunctions.

To clean, be sure to first switch off the power, then wipe with a dry cloth. When extremely dirty, use a soft cloth dampened in neutral detergent. Never use benzene, thinner or chemically-treated towels, which may damage the product's finish.

Never let the product fall, and do not expose it to a strong impact. Although your amplifier is quite sturdy, it is a complex piece of equipment and can be broken. Avoid dropping, hitting, bending or sitting on it.

Do not use the waistband amplifier or its accessories if there are any visible signs of damage.

Never take the waistband amplifier or its accessories apart. Have repairs carried out by the manufacturer only.

HAZARD! Pacemaker Safety

Before using this product with a pacemaker or another medical device, consult your physician or the manufacturer of your pacemaker or another medical device.

If you have a pacemaker or another medical device, make sure that you are using this product in accordance with safety guidelines established by your physician or the pacemaker manufacturer.

Other considerations

Any changes or modifications to your product could void your warranty. The use of any unauthorized accessories may be

dangerous and void the warranty if said accessories cause damage or a defect your device.

3. GENERAL INFORMATION

The Enersound PA-200 is a state-of-the-art personal waistband voice amplifier with a sleek modern design. It is hands-free, worn like a belt around the waist and very comfortable. You no longer have to strain your precious voice thanks to the Enersound PA-200 and its blasting 10 watts power amplifier. It can be used indoors and outdoors. It is powered by a NiMH rechargeable battery and an intelligent charging circuit that extend the battery life up to 12 hrs per charge for the longest lasting performance in its kind. It features a microphone and an auxiliary input to connect to an MP3/ CD player that allows playing of pre-recorded presentations. This system comes with a high-quality headband microphone, a charging power adapter, a resistant waist band and a 3.5 mm plug auxiliary cable. The PA-200 voice amplifier comes in black and white and other colors are available for special orders.

4. APPLICATIONS

The PA-200 is ideal for classrooms, meeting rooms, houses of worship, tour groups, fitness centers, kids' camps, sales presentations, shows and entertainment, as well as for many other applications where voice amplification is needed.

5. ACCESSORIES

Included Accessories

- Rechargeable NiMH battery

- Headband microphone
- Charging power adapter
- Adjustable waist band
- 3.5 mm plug auxiliary cable
- Connecting an audio/CD player to the auxiliary input terminal (AUX) allows music or other audio sources to be reproduced while the user is talking

Optional Accessories

- Pouch for carrying and storing your PA-200 and accessories
- Extension belt (40 cm)
- Additional NiMH batteries, microphones and power supply are available for purchase.

6. SPECIFICATIONS

- Max. output power: 10 watts
- Frequency response: 80 Hz-12 KHz
- Speaker impedance: 6
- Battery: 7.2v/900mA rechargeable NiMH battery
- Recharge time: 3-4 hours
- Charging power adapter: DC 10.6 V/ 350mA
- Battery life: up to 12 hrs per charge
- Headset microphone: Electret condenser microphone, cord length: 95 cm / 3.1 ft, 3.5 mm (1/8") mono mini plug, with headband and windscreen
- Operating temperature: 0 to 40 °C / 32 to 104 °F
- Weight: 13.7 oz / 388 g (including NiMH battery and belt)
- Size: 178 X 101 X 57 mm / 7" X 4" X 2.25" (belt excluded)
- Maximum belt length: 70cm to 110 cm/ 27.5" to 43.3"

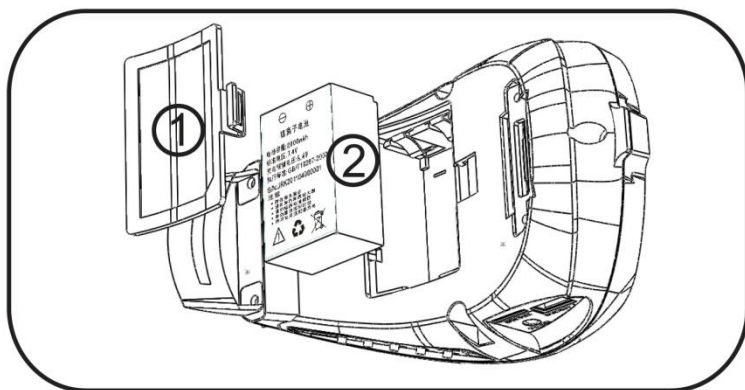
- Optional extension belt (sold separately): Each extension belt will add 40cm/ 15.8" extending belt length to 150 cm / 59". You can use more than one extension belt if needed.

7. OPERATING INSTRUCTIONS

7.1 Installing the battery:

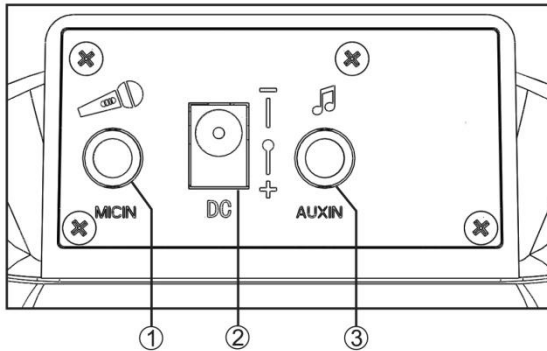
- a) Use a coin to remove the battery cover (1).
- b) Follow + / - symbols on battery and battery compartment when inserting battery (2) into the battery bay.
- c) Close the battery cover. If the battery is incorrectly installed the battery cover will not fully close.

Make sure the battery is installed following the correct polarity as reverse polarity may pose safety hazards.



7.2 Charging the battery:

- a) Plug the charger into the wall outlet and connect the round connector into the PA-200 charging jack (2).



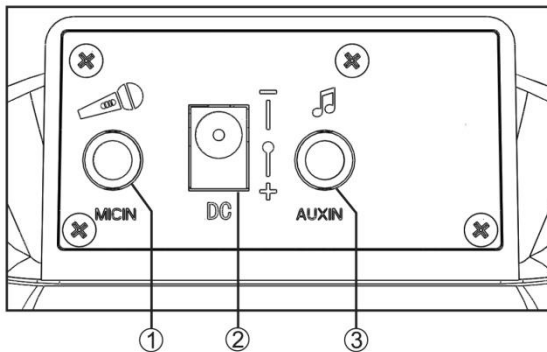
- b) The charging process may last 3 or 4 hours if the battery is completely discharged and it may take less time if the battery is partially discharged.
- c) A red LED light indicates that the battery is being charged. When the battery is fully charged the light will turn off.
- d) Unplug the charger from the unit and the wall as soon as the red LED light goes off. Never leave the charger plugged into the unit and wall for more than 8 hours. Depending on usage conditions, a fully charged battery may last up to 12 hours of normal use. In continuous use with uninterrupted music or speech, the battery may last up to 6 hours depending on sound volume.

For optimal battery performance, for the first three charge cycles, make sure to charge the NiMH battery fully and drain it fully before recharging. This is called deep cycling. You can do so by using the amplifier or leaving it on until it is completely drained. This will properly condition the battery and will ensure that it will operate at

its maximum capacity. NiMH Batteries need to be deep cycled once every 3 months or every 40 charge cycles to prevent the "memory effect". This is recommended for all NiMH batteries.

7.3 Operating the device:

- a) Attach the waistband snugly around the waist. Secure the loose end of the belt after length adjustment.
- b) Plug in the microphone into MIC IN jack (1).



- c) Put headband microphone around the back of the head. Keep the microphone head about 1" away from the mouth since the voice output is distorted if too close and weakens if too far away. The silver mark on the head of the microphone indicates the side onto which the user should direct the voice. Make sure you attach the windscreen when using the microphone since failure to do so will create wind noise and allow perspiration or other moisture to get into the microphone, resulting in possible malfunction.



- d) Reduce the volume to its lowest setting before use by rotating the volume control roller away from the speaker.
- e) Turn on the device by pressing the power bottom. A green light will be displayed.
- f) Slowly adjust the volume by rotating the volume control roller towards the speaker until you get to the desired volume.
- g) If user wants to amplify music or recorded speech, an MP3 or CD player can be connected to the auxiliary input (3) with the 3.5 mm mini plug auxiliary cable included in the box.

8. LIMITED WARRANTY STATEMENT

Enersound warrants its PA-200 waistband amplifier to be free from defects in workmanship and material under normal use and conditions for one year from the date of purchase to an authorized dealer. All other products and accessories, including but not limited to microphones, batteries, waistband, belt extension, power supply, adapter, pouch, etc. are warranted for 90 days from date of purchase. This warranty is only available to the original end purchaser of the product and cannot be transferred. If this product is determined to be defective, Enersound will repair or replace the waistband amplifier, at its option, at no charge. Customer has to pay for shipping. This warranty is void if damage occurred because of misuse or if the product has been repaired or modified by anyone other than a factory authorized service technician. Warranty does not cover normal wear and tear on the product or any other physical damage unless the damage was the result of a manufacturing defect.

Enersound has no control over the conditions under which this product is used. Therefore, disclaims all warranties not set forth above, both express and implied, with respect to the PA-200

waistband amplifier, including but not limited to any implied warranty of merchantability or fitness for a particular purpose. Enersound PA-200 waistband amplifier's manufacturer, distributors and/or dealers shall not be liable to any person or entity for any medical expenses or any direct, incidental or consequential damages caused by any use, defect, failure or malfunction of the product, whether a claim for such damages is based upon warranty, contract, tort or otherwise. The sole remedy for any defect, failure or malfunction of the product is replacement of the product. No person has any authority to bind Enersound to any representation or warranty with respect to the PA-200 waistband amplifier. This warranty gives you specific legal rights, and you may also have other rights which vary from state to state. Some states do not allow limitations on how long an implied warranty lasts, the exclusion or limitation of incidental or consequential damages so the above limitation may not apply to you. This warranty applies to products sold only within the United States of America and does not cover products sold AS IS or WITH ALL FAULTS. For products sold outside the US, please consult with your local dealer about the terms and conditions applicable in your county. Proof of purchase in the form of a bill of sale, invoice number or receipted invoice, which is evidence that the unit is within the warranty period must be presented to obtain warranty service. If you experience difficulty with your PA-200 waistband amplifier, send an email to support@enersound.com with your name, address, phone number and a complete description of the problem. We will respond to you as soon as possible and if it is necessary to return the product for service, your Customer Service Representative will give you a Return Authorization Number (RAN) and shipping instructions. For more information, visit www.enersound.com. You may also call 1-305-731-2416 or our toll-free number 1-800-644-5090 within the US.

