



# 12-Channel Professional Interpretation System

The CU-12 Control Unit works as a main unit to provide power, input and output interface, and control for up to 11 dual interpreter consoles. It allows up to 22 interpreters to perform simultaneous interpretation for a maximum of 11 target languages plus one floor (original) language.

The IC-12 is a 12-channel dual interpreter console with relay capabilities. It allows two interpreters to work together. Interpreters can choose either floor channel to listen to the speaker and perform direct interpretation or choose the relay mode when the interpreter does not understand the floor language and listen to the interpretation from a different booth in a language that this interpreter can understand.

The IC-12 also allows interpreters to select the outgoing channel depending on the language they are interpreting into (two-way interpretation), switch on/ off and mute their microphone, and control the headphone volume.

The system features a security lock that prevents two interpreters to select the same outgoing channel at the same time.

This professional, easy plug and play, stand-alone solution can be integrated with most infrared (IR) or radio frequency (RF) language discussion systems.



## CU-12 Control Unit

- Allows up to 11 consoles to be used in the same system.
- Powered by the CU-12 Control Unit through a single interconnection cable.
- True full relay function for professional multi-language simultaneous interpretation with 11-channel selector and “floor/relay” switch.
- Features (2) XLR microphone inputs, (2) 3.5mm microphone jacks and (2) 3.5mm stereo headphone jacks for combined headset/ mics.
- Speak slowly signal function.



## IC-12 Interpreter Console

- Open platform compatible with any RF, IR or FM language distribution system
- 11 target languages plus 1 floor channel.
- Powers the interpreter consoles IC-12 through the same daisy-chain inter-connection cable.
- Automatic floor feed sent to unoccupied channels.
- Relay function for professional multi-language simultaneous interpretation.
- Balanced and unbalanced floor inputs
- 12 individual 15v outputs to power portable transmitters.
- Includes two rack mount brackets.



# Accessories:



## **CBL25 Cable for IC-12 and CU-12 Interpreter Consoles**

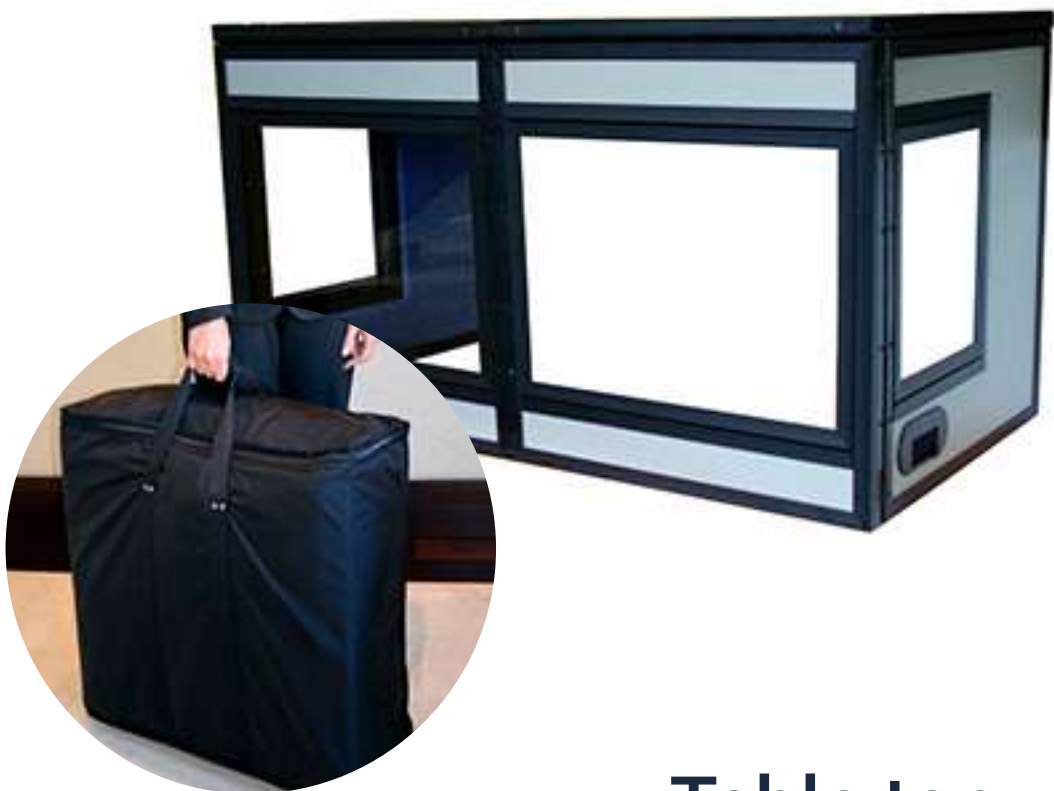
High-quality 25-pin cable to connect Enersound CU-12 Control Unit to Enersound IC-12 Interpreter Console and interconnect several IC-12 Interpreter Consoles in a daisy chain. Available in 20 and 40ft.



## **INT-SENMIC Sennheiser Interpreter Headset**

The Sennheiser Interpreter stereo headset delivers high quality audio while its passive noise-canceling microphone ensures clear conversation.

# Frequently purchased with:

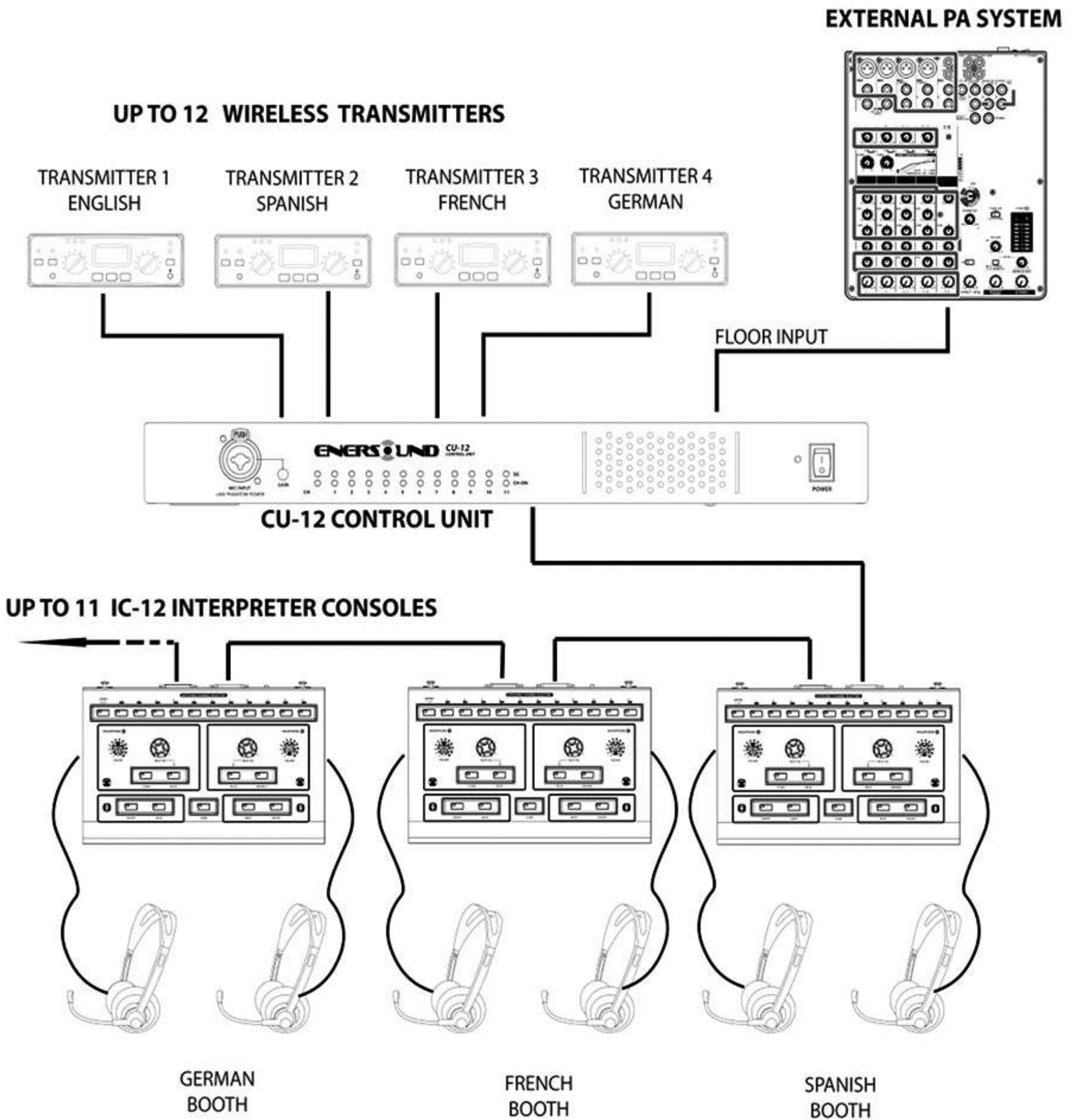


**Table top  
Interpretation Booth**



**Congress ISO-4043  
Compliant Sound-Proof  
Interpretation Booth**

# Diagram of a multilingual interpretation system with CU-12/IC-12



# Technical specifications

| System environmental Conditions |                  |
|---------------------------------|------------------|
| Transport Temp                  | -40°C ~ +70°C    |
| Operational Temp.               | 0°C ~ +45°C Max. |
| Relative humidity               | <95%             |

| Control Unit CU-12       |                     |
|--------------------------|---------------------|
| Power Supply             | 110-240Vac          |
| System consumption       | 90W                 |
| DC power output          | +15V/0.3Ax12        |
| D-SUB power output       | DC+15V/2A           |
| Line In sensitivity      | -30dB±2dB VR at MAX |
| Alarm In sensitivity     | -20dB±2dB           |
| MIC In sensitivity       | -51dB±2dB VR at Max |
| Alarm Ctrl               | Shorted to GND      |
| Slow output              | +12V, 1sec Pulse    |
| CH0-CH11 output level    | 180mV±20mV          |
| CH0 balance output level | 85mV-GND85mV±10mV   |
| REC OUT output level     | 170mV±15mV          |
| REC IN input level       | -25dB±2dB           |
| Protocol                 | RS-485              |
| Dimension (LxWxH)        | 421x213x44mm        |
| Color                    | Gray                |
| Weight                   | 2.65Kg              |

| Interpreter Console IC-12 |                           |
|---------------------------|---------------------------|
| Unit power requirement    | DC+15V                    |
| Unit power consumption    | 100mA±10mA                |
| MIC sensitivity           | -45dB±2dB                 |
| XLR MIC sensitivity       | -45dB±2dB                 |
| Earphone max output level | 30mW+30mW at 32Ω          |
| REC OUT output level      | 140mV±10mV                |
| Protocol                  | RS-485                    |
| In/Out interface          | D-Sub 25P plug and socket |
| Dimension (LxWxH)         | 330x206x57mm              |
| Color                     | Gray                      |
| Weight                    | 2.5Kg                     |